

PRODUCT DESCRIPTION

Programmable transmitters with RS232 or RS485 serial interface are designed for measurement of temperature and relative humidity of air and for measurement of CO₂ concentration in air. Transmitters can be used in a chemical non-aggressive environment.

The CO₂ concentration is measured using the dual wavelength NDIR sensor with the multipoint calibration. This principle compensates aging of the sensing elements and offers maintenance free operation and outstanding long term stability.

Digital conception with microprocessor allows to determine the other computed humidity values, like dew point temperature, absolute humidity, specific humidity, mixing ratio and specific enthalpy. Measured and calculated values are displayed on a two-line LCD display. The visual indication of the CO₂ concentration is provided by three-color LED. Devices support Modbus RTU protocol, protocol compatible with standard Advantech-ADAM, ARION protocol and communication with HWg-Poseidon devices (the reading of CO₂ concentration is not supported by ARION and HWg-Poseidon protocols). For setting of all parameters including limits of CO₂ LED indication you can use *TSensor* software (see www.cometsystem.com).

Durable plastic case from ABS contains electronic and connection terminals. For easy connection/disconnection of the output cable is used TxxxL version with Lumberg connector (IP67) instead of a cable glands.

type *	output	measured values	construction	mounting	galvanic isolated output
T5340	RS232	CO ₂	ambient air	wall	no
T5440	RS485	CO ₂	ambient air	wall	yes
T5341	RS232	CO ₂	probe on cable	wall	no
T5441	RS485	CO ₂	probe on cable	wall	yes
T6340	RS232	T + RV + CO ₂ + OV	ambient air	wall	no
T6440	RS485	T + RV + CO ₂ + OV	ambient air	wall	yes
T6341	RS232	T + RV + CO ₂ + OV	probes on cable	wall	no
T6441	RS485	T + RV + CO ₂ + OV	probes on cable	wall	yes
T6445	RS485	T + RV + CO ₂ + OV	duct mount	fix by means of the cable gland	yes

TxxxZ are custom - specified devices

T...temperature, RH...relative humidity, CO₂...concentration CO₂ in air, CV...computed values

INSTALLATION AND OPERATION

The transmitters intended to be mounted on the wall fasten on a flat surface with two screws or bolts. The external CO₂ probe unpack and connect to the T5341 (T5441) and T6341 (T6441) device. Place the external probes into the measured area. The T6445 transmitter install by inserting the metal stem into the Pg21 cable gland so that the measured air was fed into the head of device (see *Technical specification*). To fasten the stem it is also possible to use the flange PP4 (optional accessory).

The transmitters T534x and T634x with serial interface RS232 are supplied with communication cable equipped with connector. For connection of transmitters T544x and T644x with RS485 output there is recommended to use shielded twisted cable with maximal length 1200 m. The cable must be located at indoor rooms. The connecting terminals are accessible after unscrewing the four screws in the corners of transmitter and removing the lid. The cables (external diameter 3 to 6.5 mm) with wire cross-section from 0.14 to 1.5 mm² pass through the released glands and connect wires according to diagram. Tighten glands and screw the lid. All cables should be located as far as possible from potential interference sources.

After switching the device starts internal test. During this time (about 20 s) LCD display shows ---- instead of CO₂ concentration value.

Devices don't require special maintenance. We recommend you periodical calibration for validation of measurement accuracy.

COMMUNICATION PROTOCOLS AND ERROR STATES

Description of communication protocols you can download from www.cometsystem.com. Device setting from the manufacturer is **ModBus RTU**, address **1**, communication speed **9600 Bd** (no parity, 2 stop bits).

Device continuously checks its state during operation and if an error appears, it is displayed relevant code: **Err 1** - measured value (except the CO₂ concentration) or calculated value is over the upper limit, **Err 2** - measured or calculated value is below the lower limit or CO₂ concentration measurement error occurred, **Err 0**, **Err 3** and **Err 4** - it is a serious error, please contact distributor of the device.

SAFETY INSTRUCTIONS

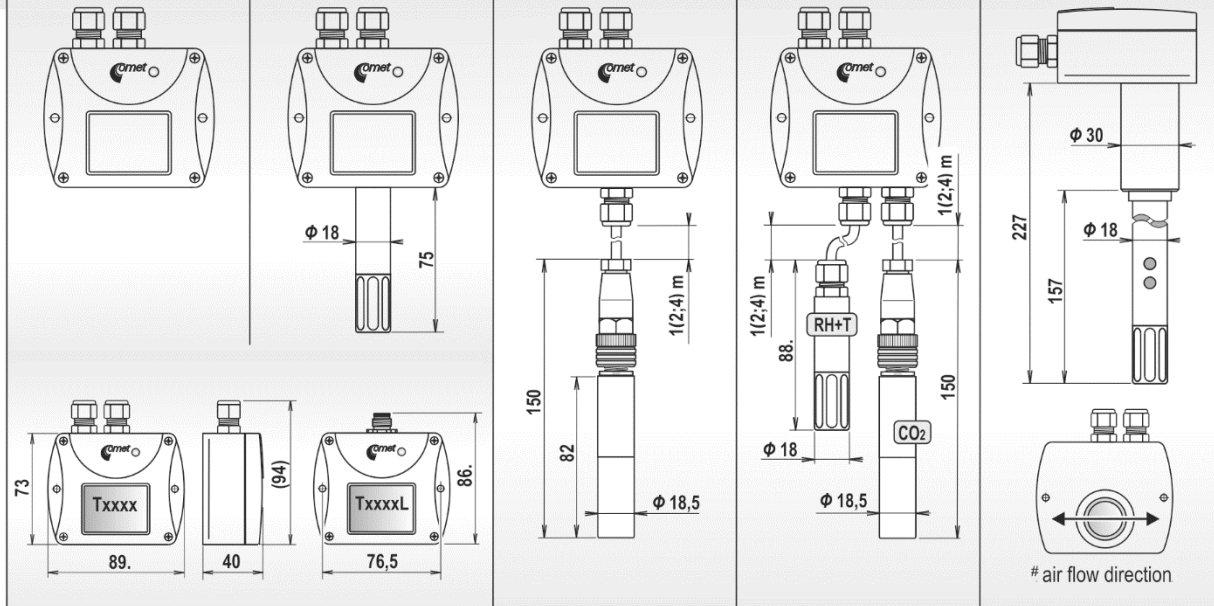
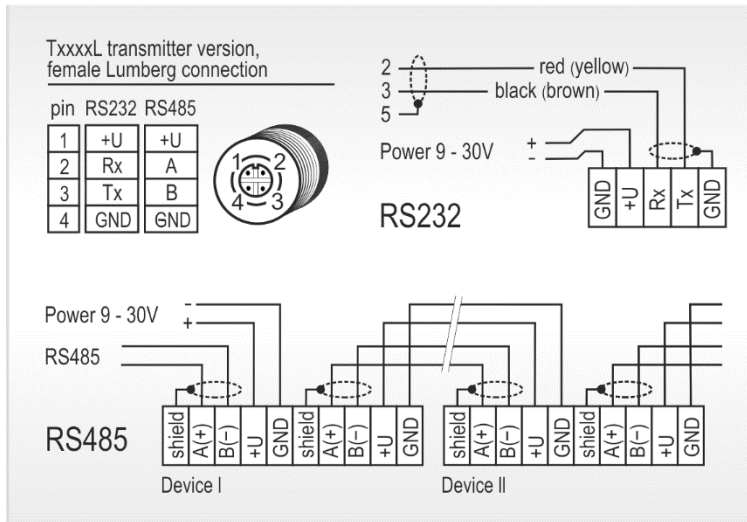


- Don't use and don't store the devices without the cover of the temperature and humidity sensors.
- Temperature and humidity sensors have not to be exposed to direct contact with water and other liquids.
- It is not recommended to use the humidity transmitters for long time under condensation conditions.
- Take care when unscrewing the filter cap as the sensor element could be damaged.
- Don't connect or disconnect transmitter while power supply voltage is on.
- Installation, electrical connection and commissioning should be performed by qualified personnel only.
- Devices contain electronic components, it needs to liquidate them according to legal requirements.
- To **complement the information** in this data sheet read the manuals and other documentations that are available in the **Download** section for a particular device at www.cometsystem.com

Technical specifications

RS232	T5340	T6340	T5341	T6341	
RS485	T5440	T6440	T5441	T6441	T6445
Supply voltage / power consumption / max. power consumption (for 50 ms with 15 s period)	9 - 30Vdc / 0.5W / 3W	9 - 30Vdc / 0.5W / 3W	9 - 30Vdc / 0.5W / 3W	9 - 30Vdc / 0.5W / 3W	9 - 30Vdc / 0.5W / 3W
Temperature measuring range	—	-30 to +80 °C	—	-30 to +105 °C	-30 to +60 °C
Accuracy of temperature measurement	—	± 0.4°C	—	± 0.4°C	± 0.4°C
Relative humidity (RH) measuring range *	—	0 to 100 %RH	—	0 to 100 %RH	0 to 100 %RH
Accuracy of humidity measurement from 5 to 95 %RH at 23°C	—	± 2.5 %RH	—	± 2.5 %RH	± 2.5 %RH
CO ₂ concentration measuring range **	0 to 2000 ppm	0 to 2000 ppm	0 to 10 000 ppm	0 to 10 000 ppm	0 to 2000 ppm
Accuracy of CO ₂ concentration measurement at 25°C and 1013 hPa	± (50ppm+2% of measured value)	± (50ppm+2% of measured value)	± (100ppm+5% of measured value)	± (100ppm+5% of measured value)	± (50ppm+2% of measured value)
Other calculated humidity variables - dew point temperature, absolute humidity,	—	yes	—	yes	yes
Recommended calibration interval - relative humidity / temperature / CO ₂	— / — / 5 years	1 year / 2 years / 5 years	— / — / 5 years	1 year / 2 years / 5 years	1 year / 2 years / 5 years
Protection class - case with electronics / measuring end of stem / CO ₂ probe / RH+T probe	IP30 / — / — / —	IP30 / IP40 / — / —	IP65 / — / IP65 / —	IP65 / — / IP65 / IP40	IP65 / IP20 / — / —
Temperature operating range of the case with electronics ***	-30 to +60°C	-30 to +60°C	-30 to +80°C	-30 to +80°C	-30 to +60°C
Temperature operating range of the measuring end of stem	—	-30 to +80°C	—	—	-30 to +60°C
Temperature operating range of the CO ₂ external probe	—	—	-40 to +60°C	-40 to +60°C	—
Temperature operating range of the RH+T external probe	—	—	—	-30 to +105°C	—
Humidity operating range (no condensation)	5 to 95%RH	5 to 95%RH	0 to 100%RH	0 to 100%RH	5 to 95%RH
Mounting position	5 to 95%RH cable glands upwards	5 to 95%RH sensor cover downwards	any position	any position	any position #
Storage temperature range (5 to 95%RH, no condensation, atmospheric pressure 700 to 1100 hPa)	-40 to +60°C	-40 to +60°C	-40 to +60°C	-40 to +60°C	-40 to +60°C
Electromagnetic compatibility according to	EN 61326-1 EN 55011	EN 61326-1 EN 55011	EN 61326-1 EN 55011	EN 61326-1 EN 55011	EN 61326-1 EN 55011
Weight of the device without RS232 communication cable (weight of the cable is 70g)	150g	160g	250 (280, 340) g	330 (400, 540) g	290 g
Dimensions [mm]					

Electrical wiring



* The relative humidity measuring range is limited at temperatures above 85°C, see manuals for devices.

** LED indication (preset by manufacturer): **green** (0 to 1000 ppm), **yellow** (1000 to 1200 ppm), **red** (1200 to 2000/10000 ppm).

*** It is recommended to switch off the LCD display at ambient temperature above 70°C.