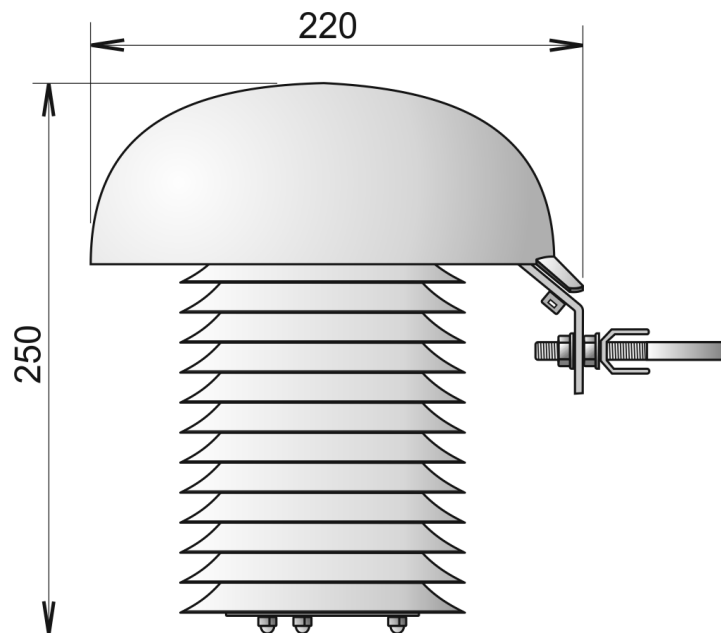


PRODUCT DESCRIPTION

The fan aspirated shield F8200 is used to protect the COMET air temperature, relative humidity and pressure sensors from thermal radiation and climatic influences. The optimized design of the shield and active ventilation by the built-in fan significantly reduces the measurement error caused by thermal radiation. Mounting flange under the top cover allows easy mounting of the devices including the fixing of the cables.

DIMENSIONS

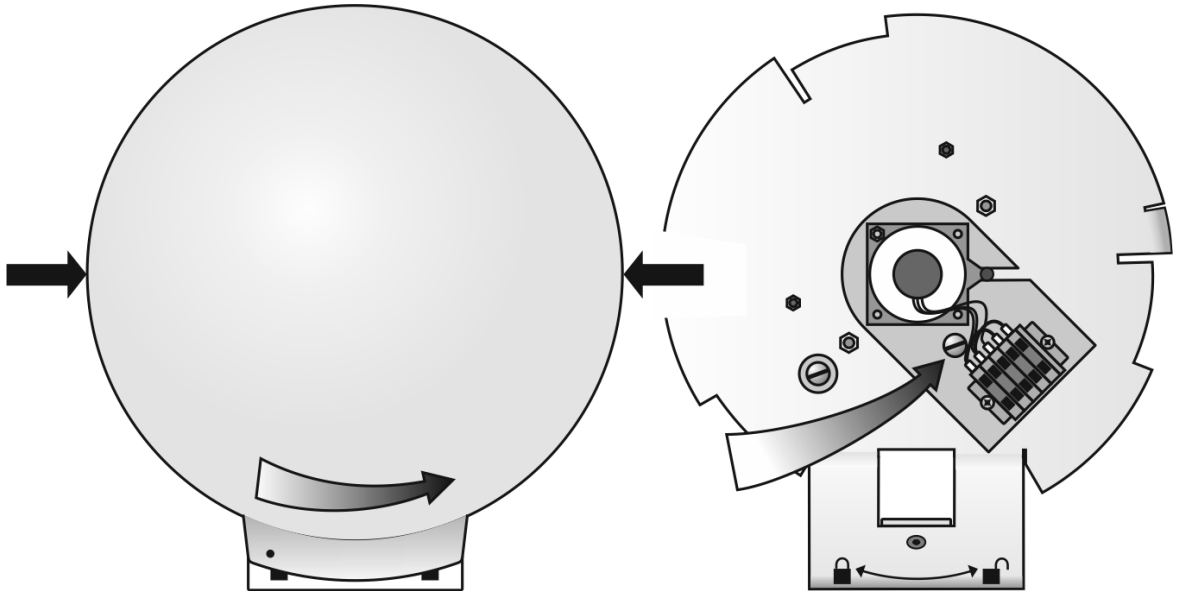


RADIATION SHIELD MOUNTING

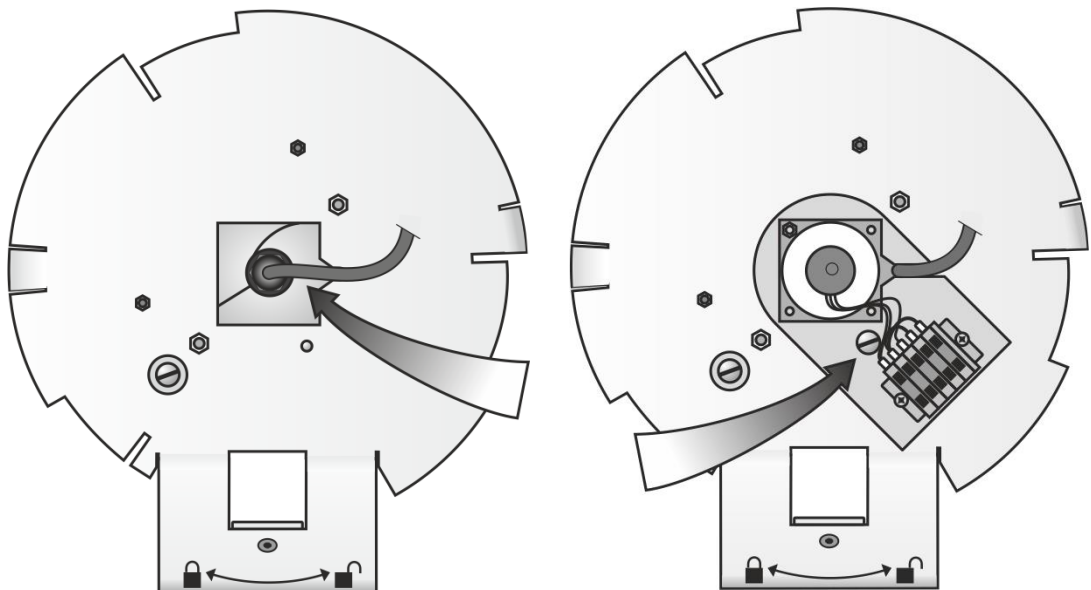
The radiation shield is placed on a mast with a diameter from 20 mm to 45 mm (i.e. satellite holder). The radiation shield is advisable to place at least 50 cm from the nearest wall of the building and at least 1.8 meters above the ground. For professional measurements, it is recommended to place the shield in grassy places, which in a radius of 10 m has no obstacles (lawn should be continuously maintained).

TRANSMITTERS AND MEASURING PROBES INSTALLATION

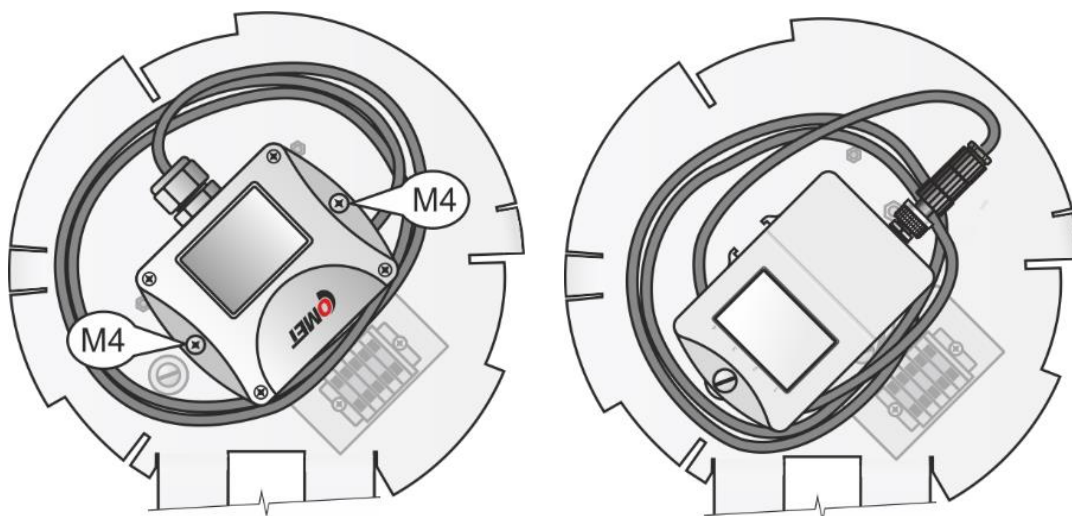
- Remove the top cover (press the cover in the direction of the arrows and rotate it 60 degrees counterclockwise - see picture).
- The screw (see fig.) loosen and remove the fan module from the radiation shield



- The probe of the device insert into the spiral bracket as low as possible and place the cable as shown in the picture.
- The fan module insert back and fasten it with the screw.

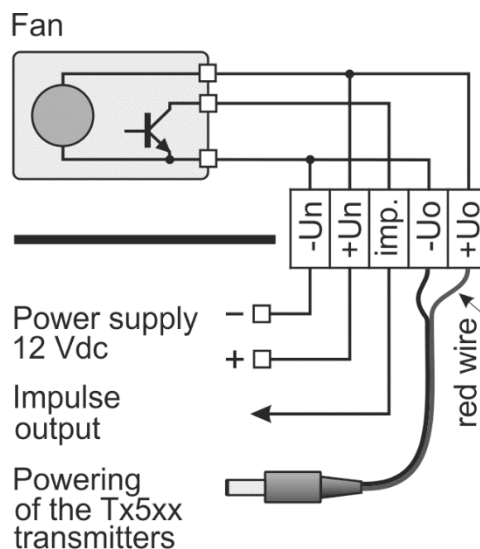


- The device screw on to the spacer using the attached screws

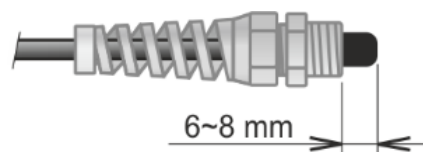


- transmitters Txx11, Txx19 (RH+T+P)
- temperature transducers T4x11 and P4xx1 with SN250V probe
- data logger S3121 (RH+T)
- temperature logger S0111 *)

- The M1140 multilogger and D0211 thermometer place near the radiation shield, use the appropriate COMET probes *).
- The power supply of 12 Vdc connect by the wiring diagram.
- The speed impulse output use to monitoring the correct function of the fan (the pulse frequency correlates to rotor speed).
- The cables connect to the mounted device. All cables pass through a square hole in the mounting flange and fasten them with the attached cable ties.
- The top cover fasten by turning it clockwise.
- The U-bolt bracket fasten to the mast.
- The radiation shield fasten to U-bolt bracket using attached two M8 nuts.



- *) *Place the cable gland (option VY024) on the temperature probe as shown and tighten the nut well.*



TECHNICAL SPECIFICATION

Supply voltage:	12 Vdc
Power consumption of fan:	0.6 W
Pulse output:	2 pulse / rev. *)
Temperature operating range:	-30 to +80 °C
Relative humidity operating range:	0 to 100 %RH
Storage temperature range:	-30 to +80 °C
Storage relative humidity range:	0 to 100 %RH (no condensation)
Weight:	approximately 1000 g
Material:	ASA - UV stabilized, antistatic

*) *max. current of output is < 5 mA, the pulse output is not protected against short circuits*

CONTENT OF THE PACKAGE:

- the F8200 shield 1 pc
- the U-bolt bracket 1 pc
- the screw M4x8 2 pcs
- the screw M3 x 14 2 pcs
- the cable tie 3 pcs
- the nut M8 with washer 2 pcs

END OF OPERATION

The radiation shield dispose according to current legislation for dealing with electronic equipment.

WARNING

Installation, commissioning and maintenance may only be carried out by personnel with qualification by applicable regulations and standards.

© Copyright: COMET SYSTEM, s.r.o.

It is prohibited to copy and make any changes in this manual, without explicit agreement of company COMET SYSTEM, Ltd. All rights reserved.

COMET SYSTEM, Ltd. makes constant development and improvement of their products. Manufacturer reserves the right to make technical changes to the device without previous notice. Misprints reserved.